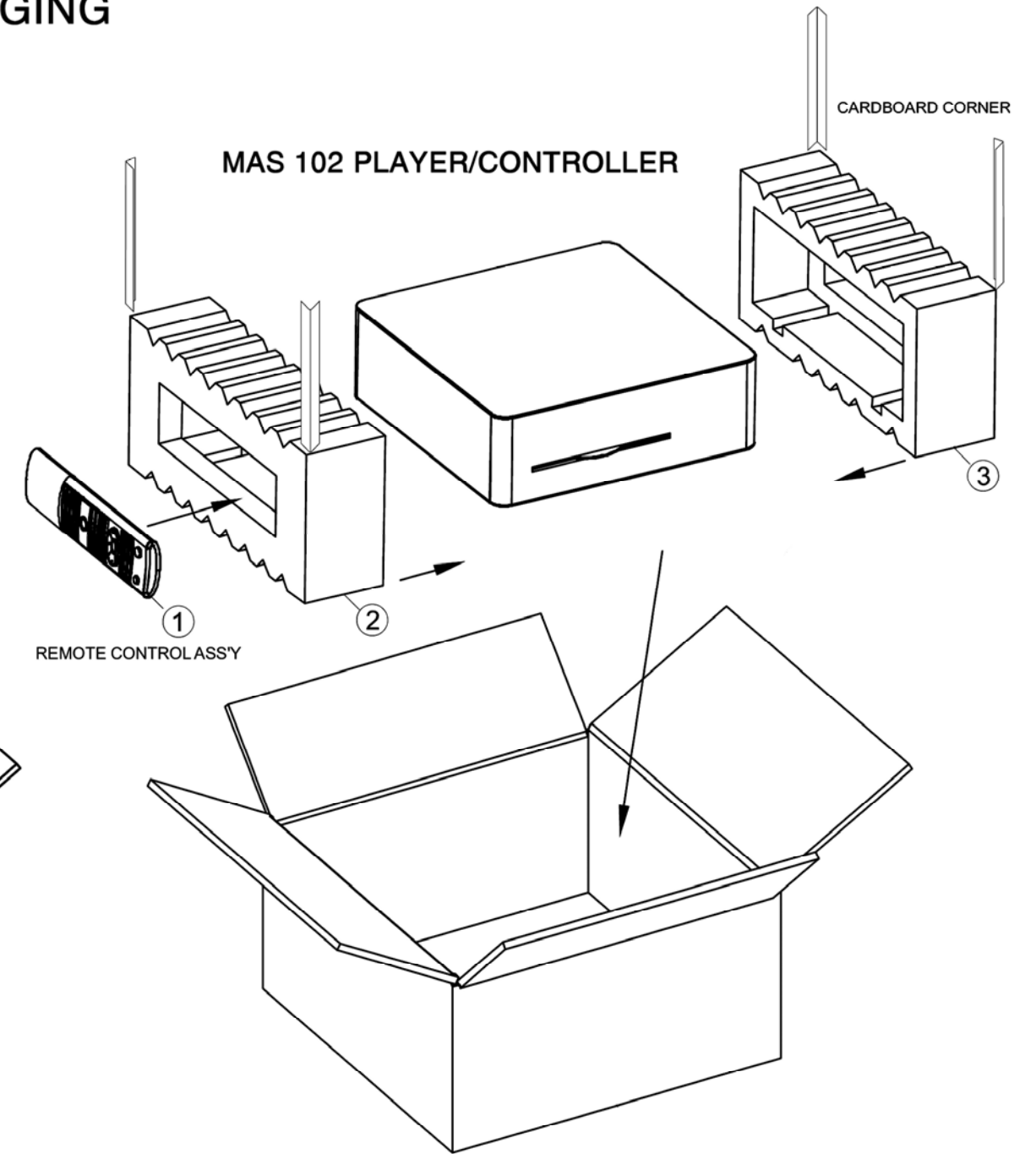
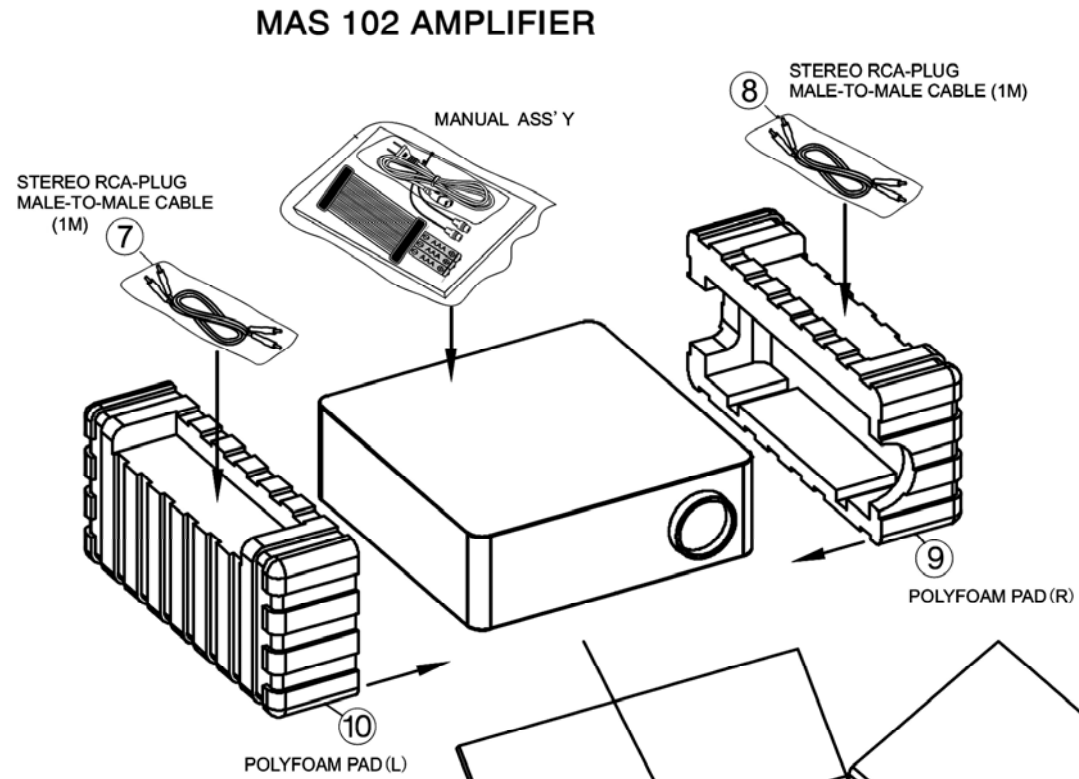
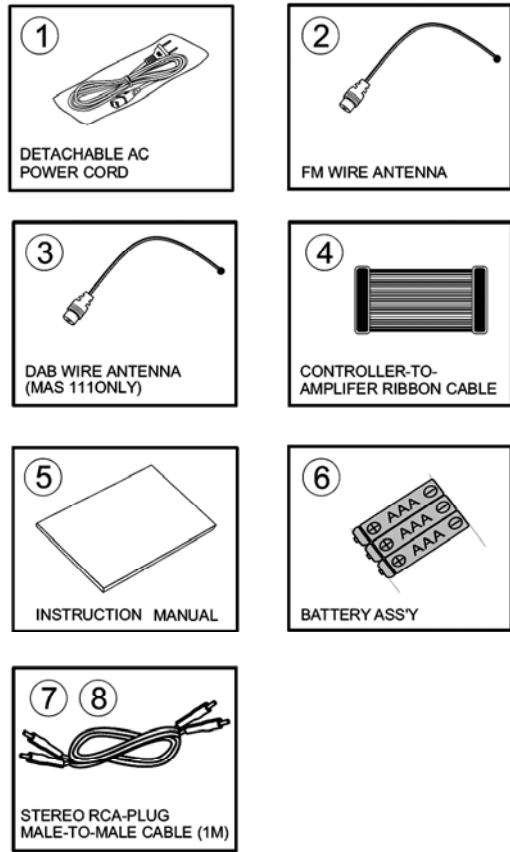


# MAS 102 PACKAGING



ITEM	DESCRIPTION	PART NUMBER	QTY
1	AC Power Cord	3701 1101 0839	1
2	FM Antenna	3813 0015 0330	1
3	DAB Antenna (MAS111 only)	3810 0030 0011	1
4	Ribbon Cable Amplifier to Player/Controller	3320 0805 0352	1
5	Owner's Manual	Visit <a href="http://www.harmanardon.com">www.harmanardon.com</a>	1
6	AAA batteries		1
7,8	Stereo RCA Cables (1m)	3820 0002 1106	2
9	Foam Pad Right	8250 5023 0000	1
10	Foam Pad Left	8250 5013 0000	1

ITEM	DESCRIPTION	PART NUMBER	QTY
1	Remote Control Ass'y	9824 5000 1101	1
2	Foam Pad Left	8250 503B 0000	1
3	Foam Pad Right	8250 503B 0000	1

OUTER CARTON PART NUMBER FOR ENTIRE SYSTEM IS # MAS 102 BEAUTY BOX